

A Company Overview

Since 1987, a private owned company of Avonto Family, with over than 50 employeed and a young managment specialized in Device to treat air and create processes in which air is involved

With a Full inside production, the company develop products from CFD simulation to a full production with high quality management of the full process. The certification of qualty, the passion for the value of a good prodcution and tempestive and fit solutionfor many cases

Member of CISQ Federation



CERTIFIED MANAGEMENT SYSTEM
ISO 9001



MADE IN ITALY



RECUBE VIR 100

Medical Device to create
negative pressure zone
for multiple rooms
and PEEP Ventilation for
multiple USER

Made to Serve 40 People with PEEP and to isolate 10 Rooms

Suitable for facial mask and CPAP

PEEP Therapy for NIV treatment with single value and Facial Mask or PEEP

The machine can create PEEP Pressure for facial mask and for CPAP from 0 to 50 cm H2O.

With single regulation for each people

The double circuit allow to create positive pressure for CPAP or facial mask and at the same time to create negative pressure in the room of the infectious patient.

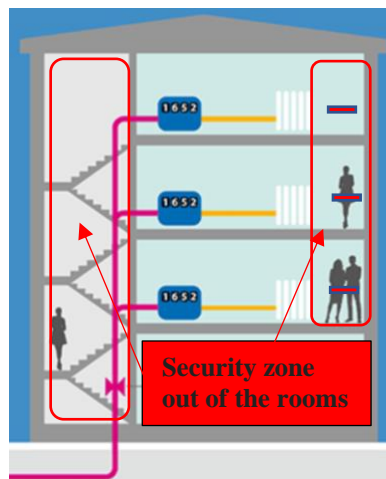
RECUBE VIR 100 can be used to create positive pressure with single regulation system for each patient for Facial Mask and CPAP standard.

It is possible to use it also for simple oxygen therapy.



Totally in AISI 316 and with CE
Dimension 1,5x,1xH=1,5 meters

The System is made for many configuration and is possible to put it on TOP or Bottom floor and with any distance from the user.



A simple tube connection



SINGLE REGULATION FOR EACH PATIENT



FOR FACIAL MASK AND CPAP

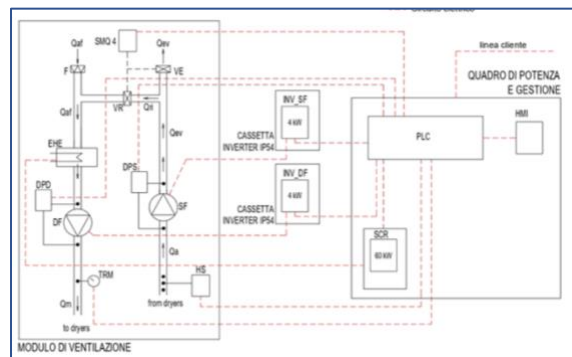


The Idea: with 1 economic machine 40 people in intensive care 10 rooms in negative pressure

How does it work

The machine is a double circuit machine that produce temperature controlled air from 0 to 35 °C and with umidity control.

The same machine keep air from the room and CREATE NEGATIVE PRESSURE giving 6 air exchange and keeping 7 air exchange



Humidity and temperature electronic Control

Possible to put O2 in central machine or at single users



Technological consultant to find custom solution and develop the RECUBE VIR 100 with our customer.

PC REMOTE CONTROL BOARD

Recube Control Drive on PC to Check all ROOMS and all People from REMOTE controle by Internet on Monitor or IPAD



It is possible to monitor and register all the rooms and all the PEEP parameters. It's possible to record with SCADA system all the situation and to be sure that everithing is ok.

PLC and Ethernet or Wi fi module allow to easily realize a plant.

It is possible to connect also medical device to see all the parameters on PC or Internet



A NEW WORLDWIDE PATENT FROM RIMOR

Rimor had realized an international patent on 2014 for RECUBE and a new patent of special RECUBE for Medical in 2020.

Recube is a solution with 1800 installation worldwide



A FIXED WORLDWIDE PRICE

The Recube Vir100 System allow care homes for elderly to have a competitive system with a Worldwide fixed and defined from RIMOR, authorised and professional sales and assistance network



DEMOCRATIC SOLUTION

The Vision of RECUBE VIR 100 is to bring in to the world a democratic solution to allow all people to receive medical care with a low price and to take care of healthy people.